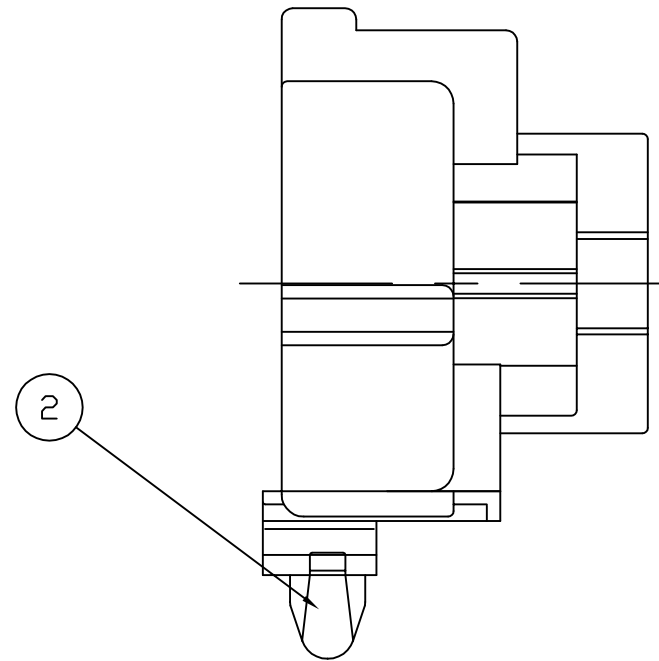
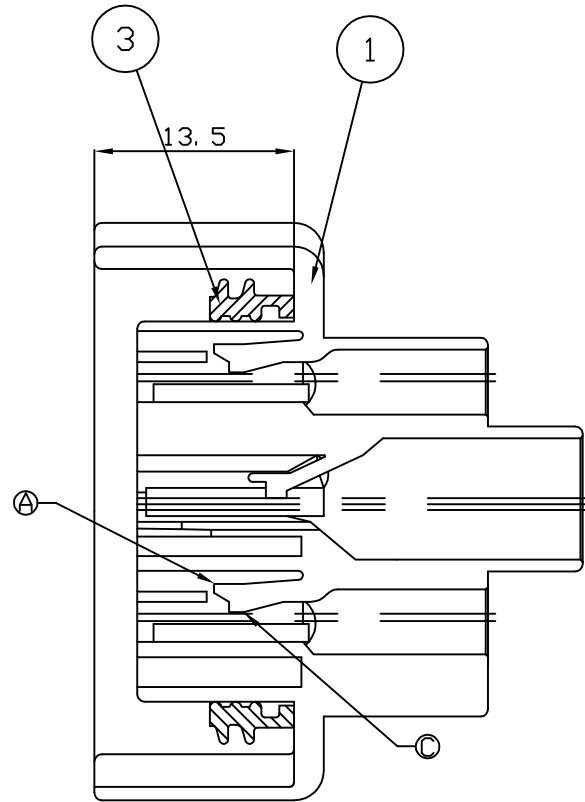
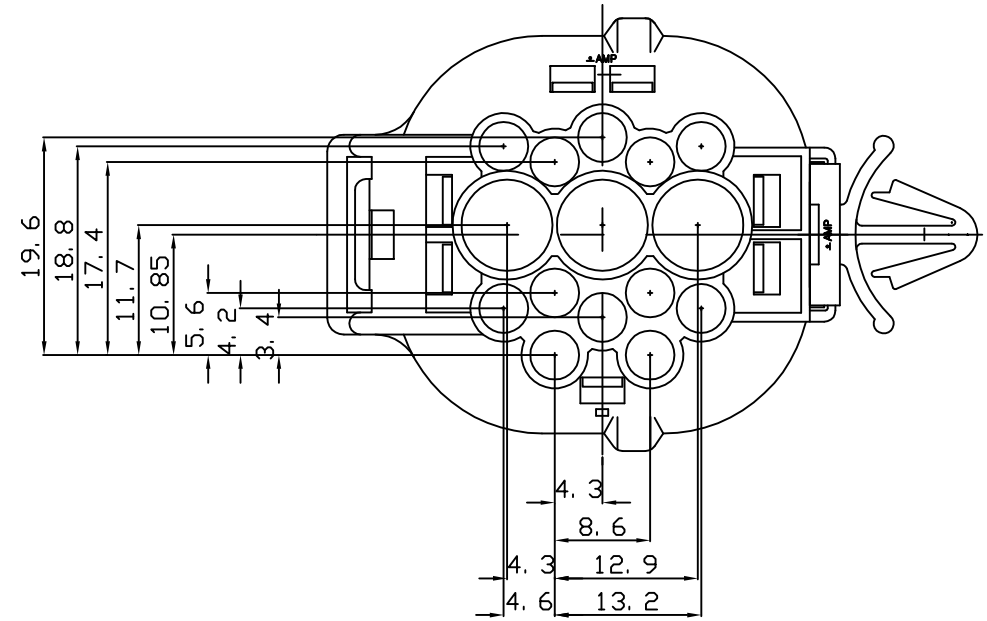
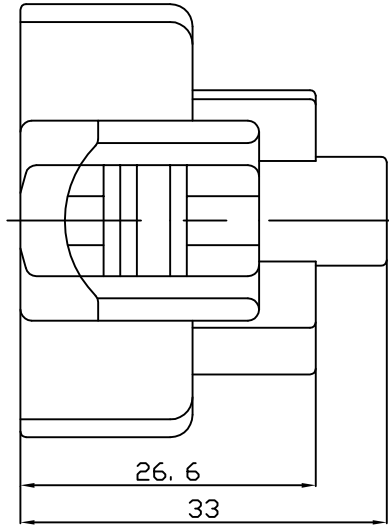
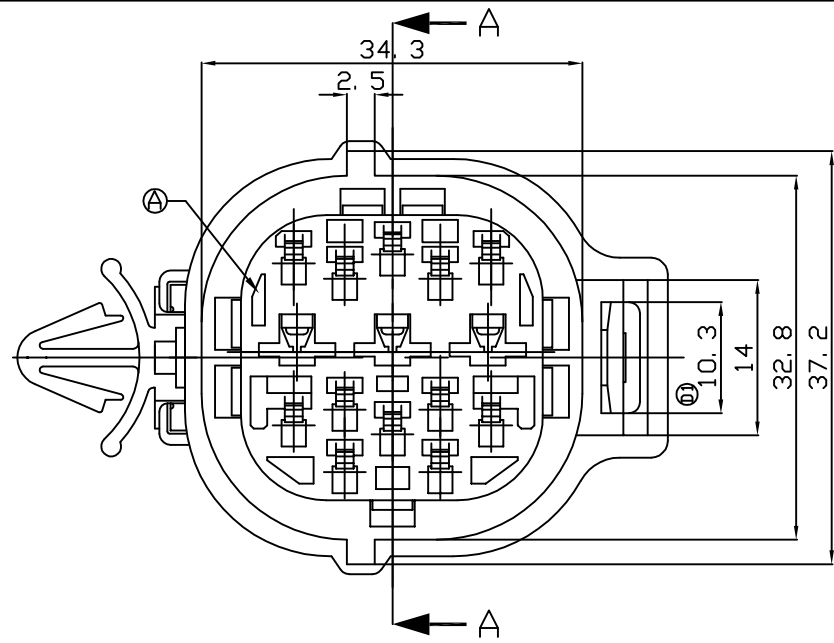


THIS DRAWING IS UNPUBLISHED. RELEASED FOR PUBLICATION
 © COPYRIGHT BY TYCO ELECTRONICS CORPORATION, ALL RIGHTS RESERVED.

| LOC | DIST | REVISIONS | | | | | |
|-----|------|-----------|-----|--------------------------|--------------|-----|------|
| | | P | LTR | DESCRIPTION | DATE | DWN | APVD |
| | | | D | REVISED< ECR-11-008500 > | 21. MAY. '11 | SJ | HG |
| | | | D1 | REVISED< ECR-12-015554 > | 04. OCT. '12 | JM | HG |



NOTES

- FOR CAP HOUSING (P/N: 85264)
- THIS PART MUST BE USED WITH DOUBLE LOCK PLATE (P/N: 85223)
- APPLY P/N 85263-1<EJ MKII + 15P PLUG HSG> AND 172745-1<SEAL RING FOR EJ MKII + 15P PLUG HSG> TO ASSEMBLY P/N 2-85262-1.

| CUSTOMER PART NUMBER < H 700 > | REMARK | NO | COLOR | MATERIAL | DESCRIPTION | PART. NO | REV | Q' TY | ASS'Y P/N | REV |
|--------------------------------|--------|----|-------|----------|--|----------|-----|-------|-----------|-----|
| 5 | | | BLACK | NBR | SEAL RING FOR EJ MKII(+) 15Pos PLUG HSG | 172745-1 | A | 1 | 1 | 1 |
| 4 | | | BLACK | PA66 | CLIP HSG FOR EJ MKII(+) 15Pos PLUG HSG | 368121-1 | □ | | 1 | 1 |
| 3 | | | BLACK | PA66 | CLIP HSG FOR EJ MKII(+) 15Pos PLUG HSG | 85229-1 | □ | | | 1 |
| 2 | | | GRAY | PBT | EJ MKII(+) 15Pos PLUG HSG | 85263-5 | C | 1 | 1 | 1 |
| 1 | | | BLACK | PBT | EJ MKII(+) 15Pos PLUG HSG | 85263-1 | C | | 1 | 1 |

THIS DRAWING IS A CONTROLLED DOCUMENT FOR TYCO ELECTRONICS CORPORATION. IT IS SUBJECT TO CHANGE AND THE CONTROLLING ENGINEERING ORGANIZATION SHOULD BE CONTACTED FOR THE LATEST REVISION.

| | | | | | | | |
|-----------------------|---|---|-------------|-----------------------|--|-----------|------------|
| DIMENSIONS: MM | TOLERANCES UNLESS OTHERWISE SPECIFIED: 0 <XX<10 ± 0.2 10<XX<30 ± 0.25 30<XX ± 0.3 ANGLES ± 3° | DWN JM JEON CHK JW JUNG APVD HG CHD | | NAME | 070/250 15P PLUG ASS'Y ECONOSEAL J-MARKII CONN. | | |
| MATERIAL SEE TABLE | FINISH | PRODUCT SPEC - | | APPLICATION SPEC - | SIZE | CAGE CODE | DRAWING NO |
| | | WEIGHT - | A3 | 00779 | C- | 85262 | - |
| CUSTOMER DRAWING | | | SCALE 1.5/1 | SHEET 1 | OF 1 | REV D1 | |